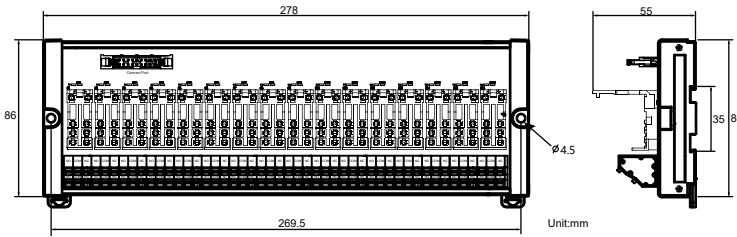


Relay Module Expansion Submodule

16-channel relay module, DPDT contacts

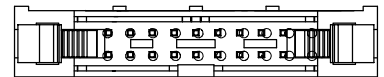
REX-16R2S Push-in terminal (non-removable)



Used as an expansion submodule for the relay module groups SIOL-TL-16RM1S and SIOL-TL-16RM2S

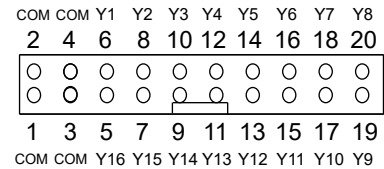
Model	REX-16R2S
Output	
Number of Output Points	16
Output Current	150mA
Output Protection Type	Overload Protection, Overheating Protection
Output Protection Response Time	Approx. 20ms
Output Voltage Drop	Approx. 0.6V
Isolation Type	Digital Isolation
Relay Contact Type	Two Normally Open + Two Normally Closed
Relay Contact Capacity (Output Terminal)	4A 250VAC / 4A 30VDC
Relay Coil Voltage	24V
Applicable Relay Model	See "Appendix 1"
Installation Method	DIN35 Standard Rail Mounting or Fixed Hole
Protection Class	IP20
Operating Temperature	-25 to 55°C

ExtendPort



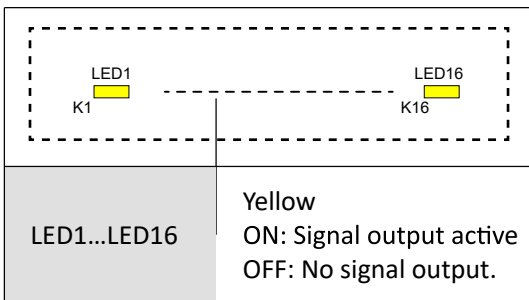
Connect Port

Note: This port uses an IDC socket and connects to the expandable relay module group via a dedicated cable

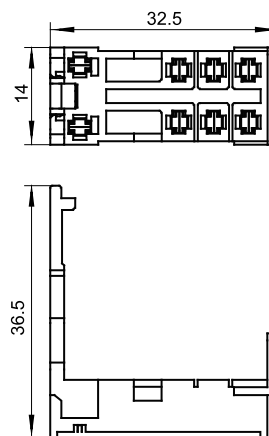


Note: Pins 1, 2, 3, and 4 of the COM terminal are internally shorted. If the COM terminal is connected to the negative pole, the relay can operate normally, but the corresponding LED on the circuit board will not light up.

Status LEDs



Relay Base Dimensions



Appendix 1

Brand	Model
OMRON	G2R-2-S□(S)
HONGFA	HF157F/24-2Z25FD□□
IDEC	RJ2S-C□-D24
DINKLE	RER-J2C-D24

Note: The relay is not included with the product and should be selected by the customer. The above models are for reference

Wiring Terminals

