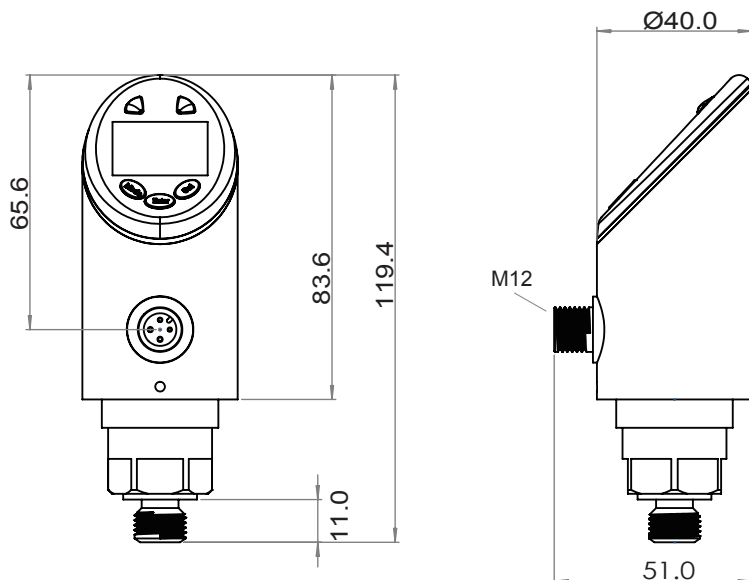


# IO-Link sensor

SEH-C6-1/4GA-LI6D-SC Pressure sensor with display



Model	SEH-C6-1/4GA-LI6D-SC
Operating voltage	24VDC $\pm$ 10%
Operating current	< 100mA
Pressure parameters	
Measuring range	0-600 bar (0-60Mpa)
Max overvoltage	1200 bar
Interface type	M12 A code 4-pin
Accuracy	0.5%

Output parameters	
OUT1 Signal	Switching signal or IO-Link (automatic wake-up)
OUT2 Signal	Switching signal or 4-20mA or 20-4mA
Switching signal output type	NPN/PNP/Push-Pull, NO/NC, Hysteresis/Window programmable
Switching signal output current	250mA
Switch point SP setting range	3 bar - 600bar
Release point rP setting range	0 bar - 597bar
Minimum interval between SP and rP points	3 bar (0.5%F.S*)
Switching signal output resolution	0.1 bar
Analog signal output maximum load	500 $\Omega$
Analog signal output accuracy	0.5%F.S
Minimum interval between analog signal start and end points	120 bar(20%F.S)

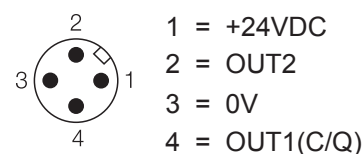
IO-Link	
Vendor ID	1317 (0x0525)
Device ID	198673(0x030811)
Number of interfaces	1
IO-Link protocol version	V1.1
IO-Link input bytes	2 bytes (16Bit)
Frame type	TYPE_2_2
Transmission rate	COM2 38.4kbit/s
Minimum cycle time	2400us
ISDU(Indexing Service)	Support
Block parameter operations	Not support
Data storage(DS)	Not support

Working temperature	-40 - 80 $^{\circ}$ C
Protection level	IP65

\* F.S: Full scale of measuring range (for example, measuring range -1-6Bar, then F.S=7)

- IO-Link Smart Pressure Sensor
- 4-digit large digital tube display, mirroring, semi-transparent design
- The upper part of the housing can be rotated 300 $^{\circ}$
- Normally open/normally closed, PNP/NPN/push-pull, hysteresis/window configurable
- Switching signal /analog signal, switching signal /IO-Link can be set
- The display panel adopts an integrated housing
- The main body of the housing is made of stainless steel
- The interface is M12 A code 4-pin
- Key lock function, simple key menu operation
- Sensor parameters can be set via buttons and IO-Link
- The starting and ending points of the analog signal can be set

## IO-Link M12 interface



Note: OUT1: switching signal or IO-Link  
OUT2: switching signal or analog signal

## Wiring diagram

