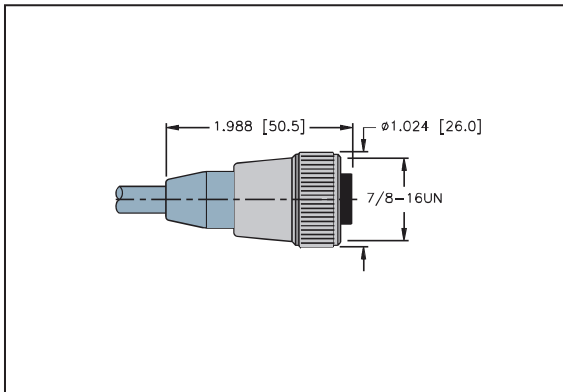


# 5-PIN, 7/8" Power Supply Cable – Connection Cable



ZMK5-2/PVC



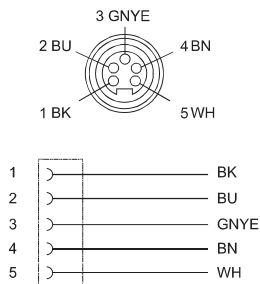
- 5-pin, 7/8" connector
- Protection class IP67
- Straight female
- Cable jacket: PVC, Gray
- Cable length: 2m

## Technical parameter

### Electrical parameter

|                           |  |
|---------------------------|--|
| Rated voltage             | 10...30VDC                                       |
| Rated current             | 5.3-7.7A   |
| Insulation resistance     | ≥10 <sup>9</sup> Ω                               |
| Noise impedance           | ≤5mΩ   |
| Ambient temperature range | Connector[°C] -30...90°C<br>Cable[°C] -40...80°C |
| Core cross-section        | 4*1.11+0.75 (PE)mm <sup>2</sup>                  |
| Cable diameter            | 8.5mm  |
| Cable color               | Gray   |
| Contacts                  | Metal, CuZn, Gold-plated                         |
| Type of protection        | IP67, (screwed together)                         |
| Connector body            | Plastic, TPU                                     |
| Seal                      | Viton (FPM)                                      |
| Mechanical lifespan       | > 100 Mating cycles                              |

### Wiring diagram



### 5-PIN

| Color | Female |
|-------|--------|
| BK    | 1      |
| BU    | 2      |
| GNYE  | 3      |
| BN    | 4      |
| WH    | 5      |