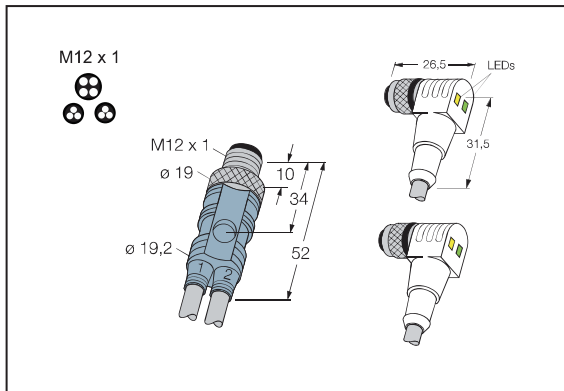


Y-Splitter with Cable

Male M12 x 1 - 2 x Female M12 x 1 with LED
ZASY4-2ZZAK3P2-2/PVC



- M12, Male, 4-pin, Straight
- M12, Female, 3-pin, Angle, with LED
- Protection class: IP67
- Cable color: Gray
- Cable material: PVC
- Cable length: 2m

Technical parameter

Electrical parameter

Rated voltage	10-30VDC
Rated current	4A
Insulation resistance	$\geq 10^9 \Omega$
Forward resistance	$\leq 5m\Omega$
Ambient temperature range	-30...90°C
Contacts	CuSnZn
Seal	Viton(FPM)Plastic
Type of protection	IP67, (screwed together)
Coupling nut/screw	Nickel-plated
Connector body	Plastic, TPU
Cable diameter	5.2mm
Core cross-section	0.25 (32x0.1) mm ²
Mechanical lifespan	> 100 Mating cycles

Wiring diagram

