



森特奈

SENTINEL ELECTRONICS



Fieldbus Technology

创新驱动智造，用心服务客户
SENSING YOUR MIND!

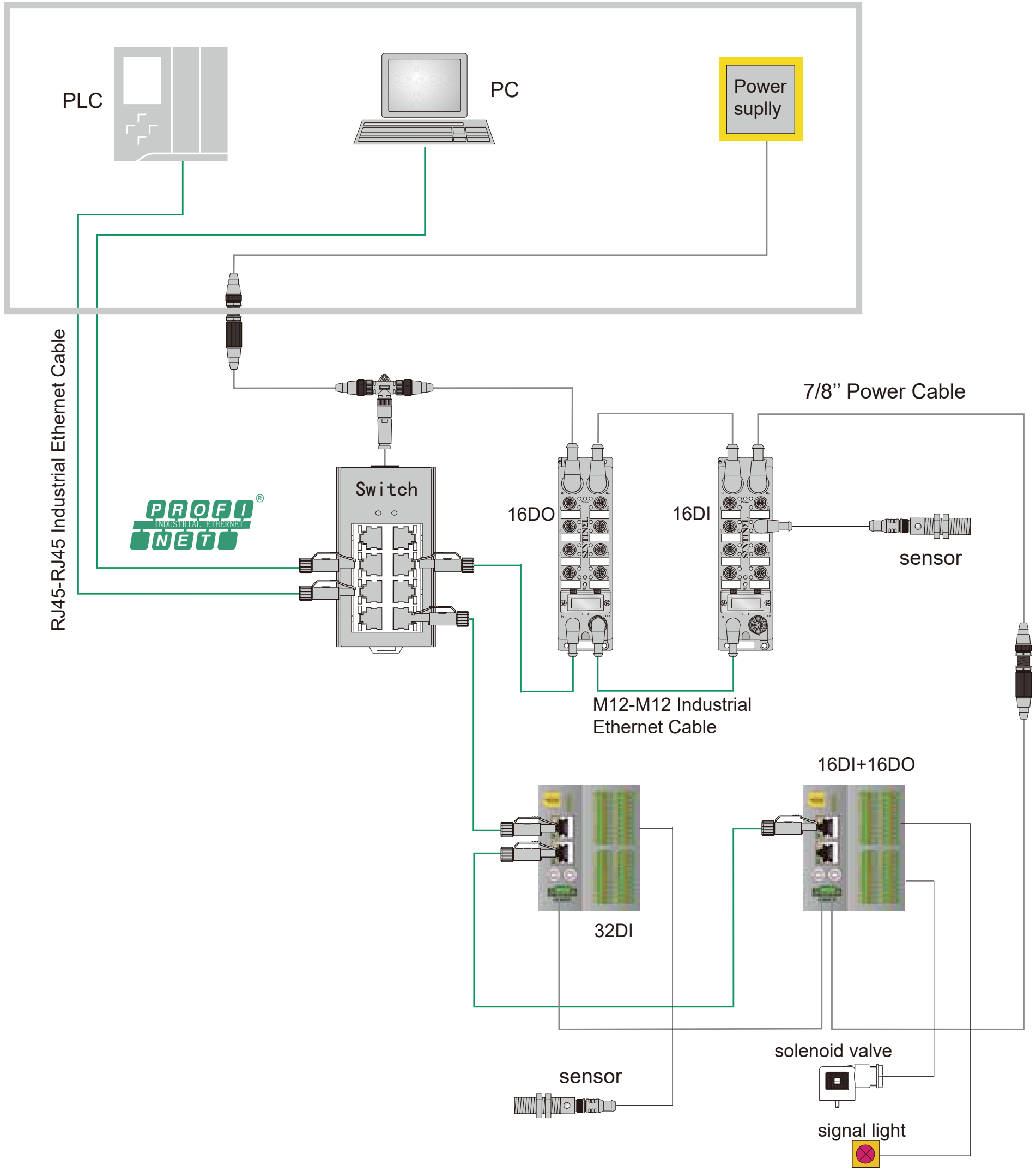
EL series

The I/O module of the IP67 protection class is an important part of the machine and system installation. It replaced the complex wiring,save a lot of space in the cabinet.The module has a glass fiber housing and a copper-plated nickel connector.Shock and vibration tested.The module supports various field bus protocols.



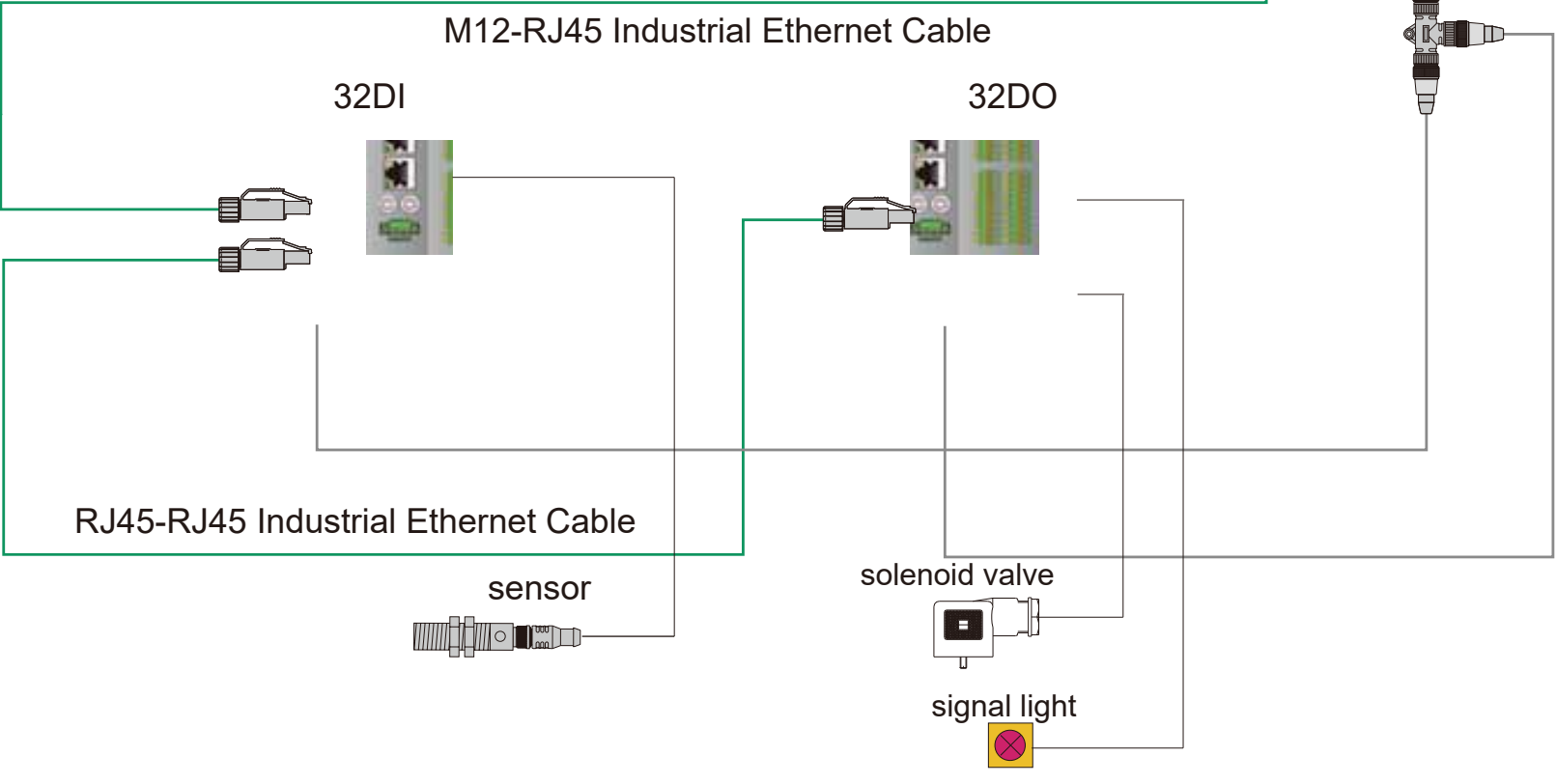
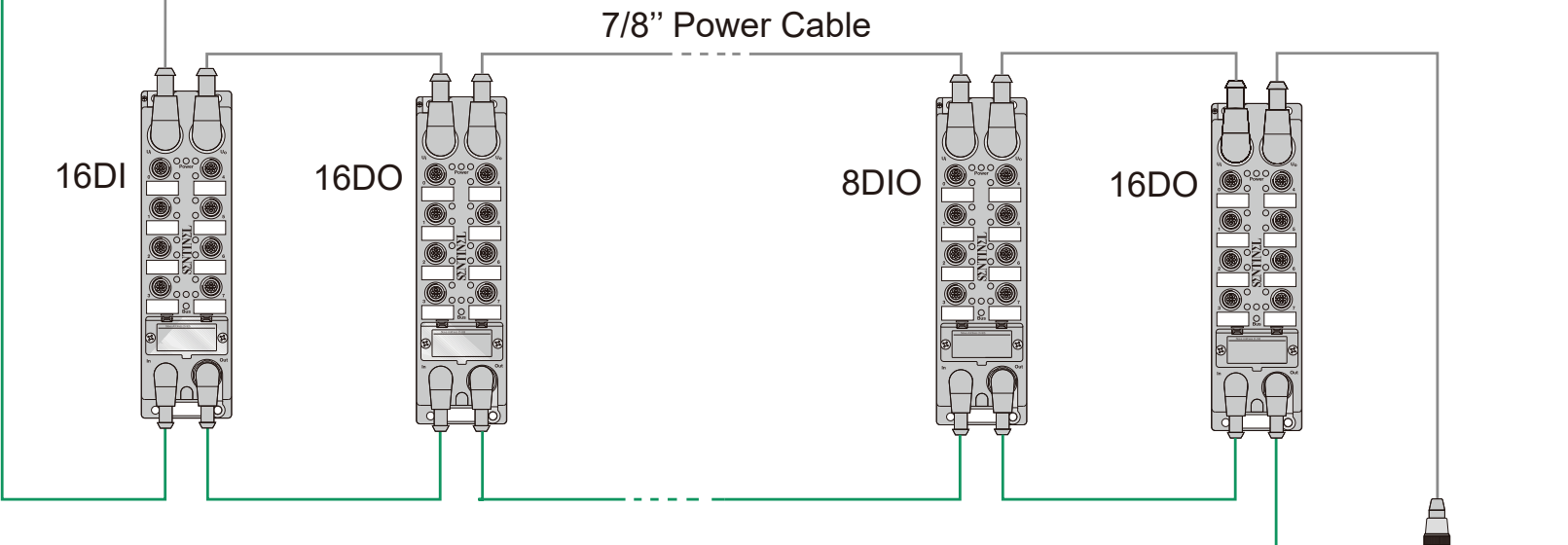
CM series

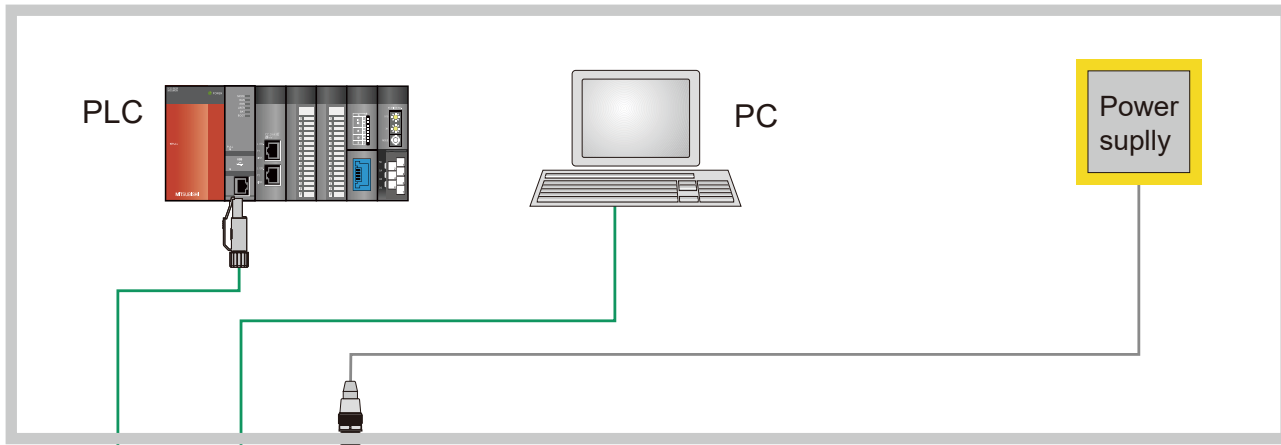
The IP20 module is used for DIN rail installation,It can be installed not only in the control cabinet, but also in small distributed control boxes.The module has a compact metal housing, and also has up to 32 input or output channels.



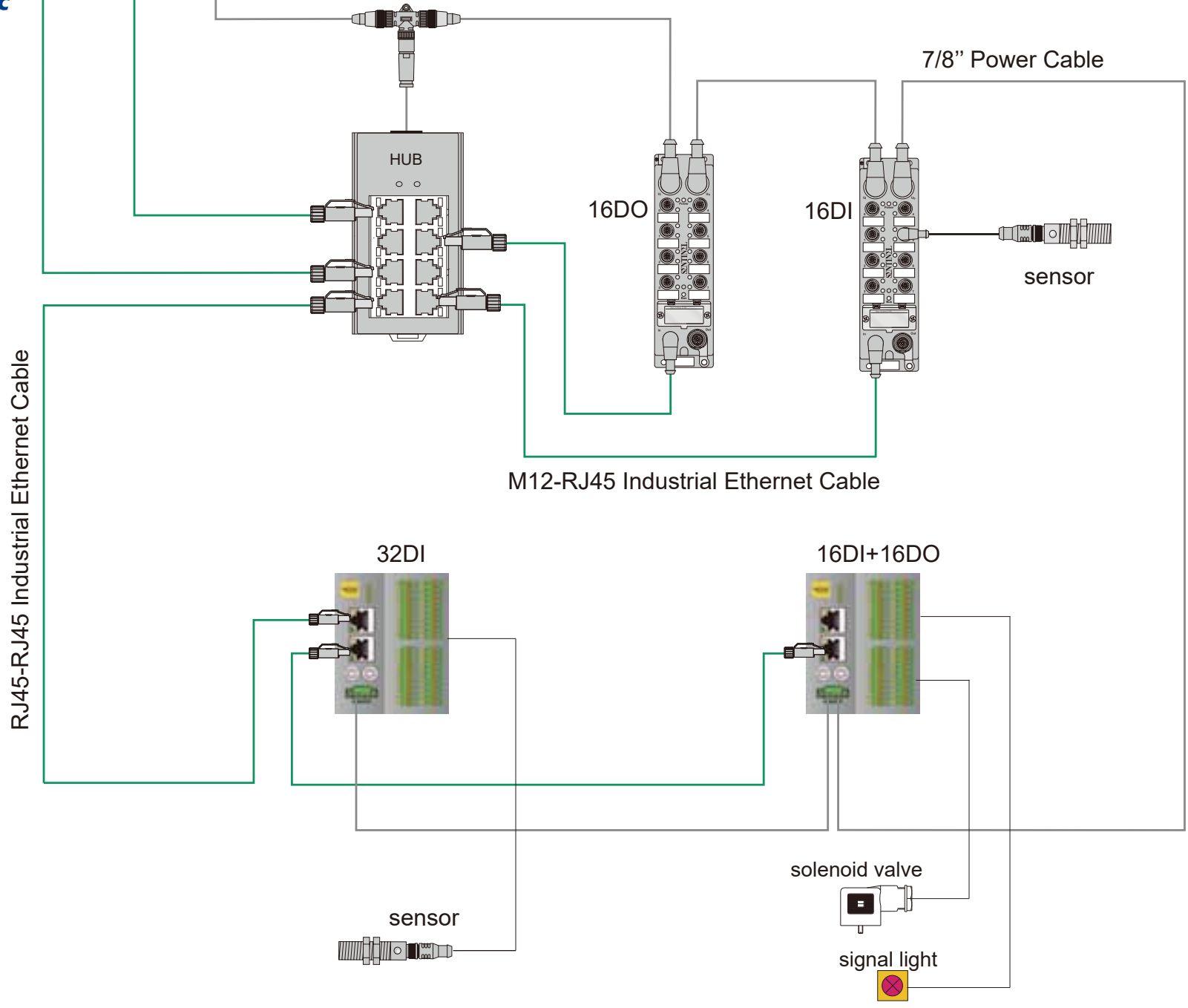


EtherCAT





CC-Link IE Basic



RJ45-RJ45 Industrial Ethernet Cable

M12-RJ45 Industrial Ethernet Cable

7/8" Power Cable

16DO

16DI

sensor

32DI

16DI+16DO

sensor

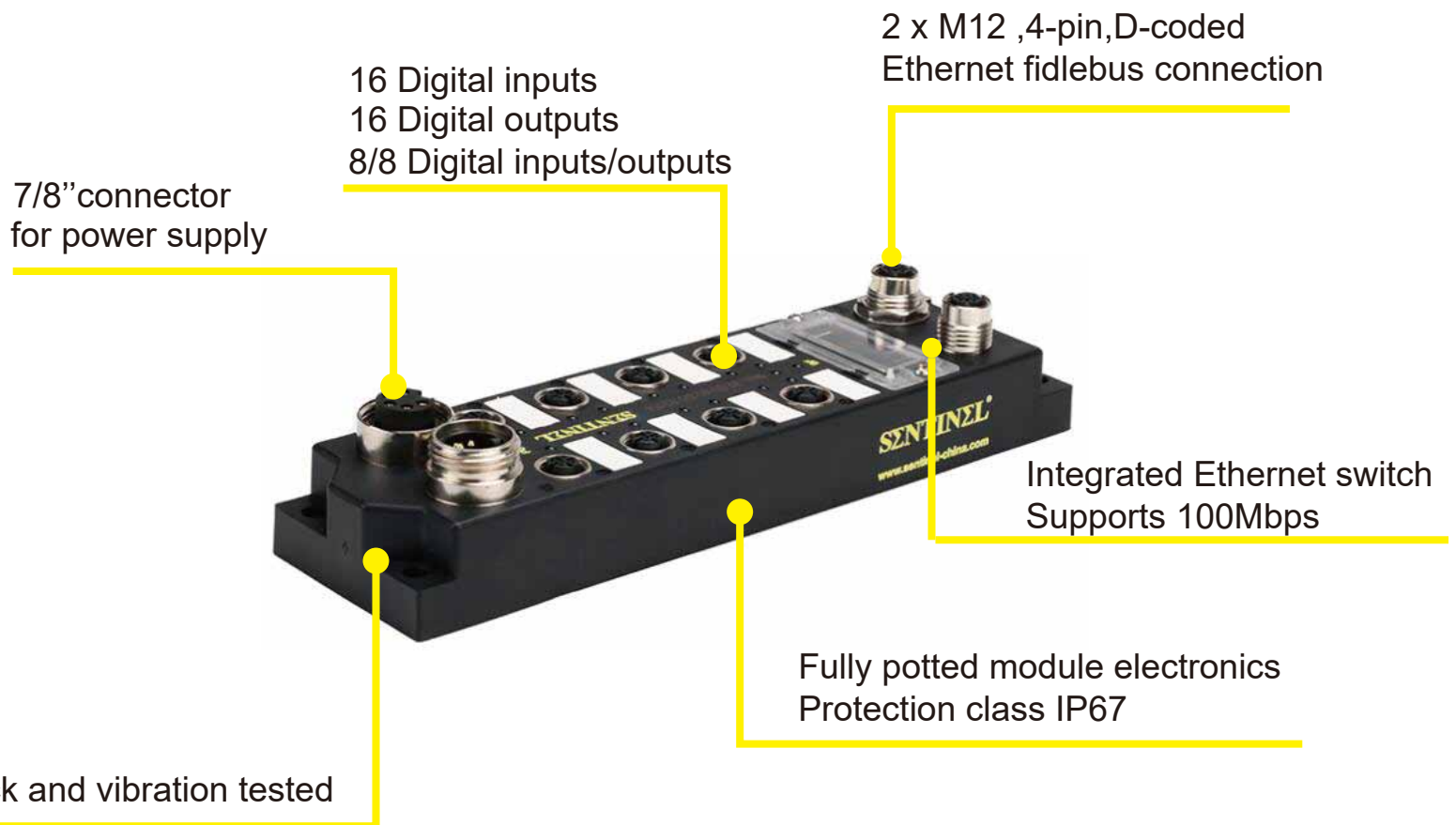
solenoid valve

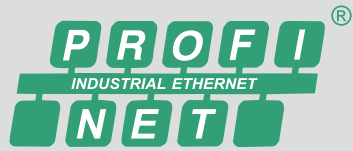
signal light

Compact I/O module for

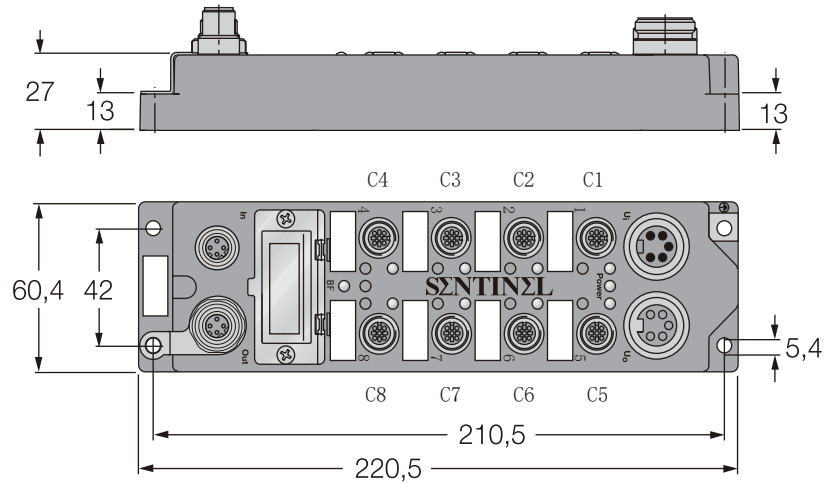


EtherCAT





Dimensions

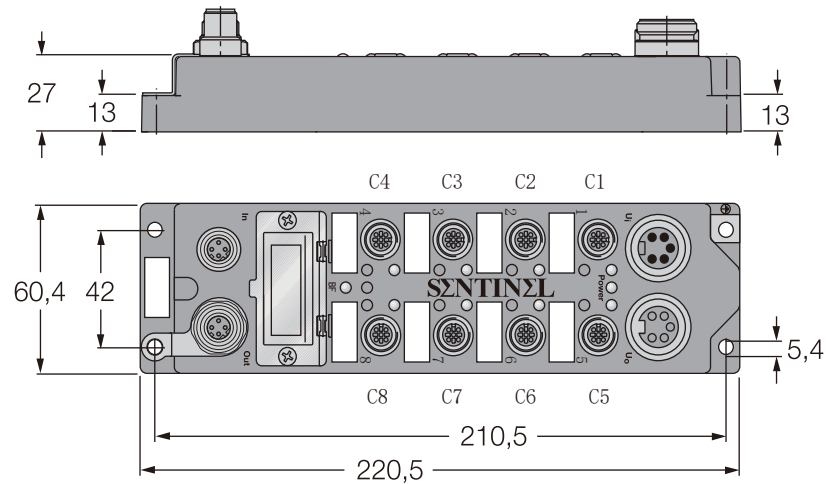


mm

Type	ELPN-IM16-0003	ELPN-IOM88-0003	ELPN-OM16-0003
Supply voltage	24VDC \pm 10%		
Operating current	< 100mA		
Digital inputs	16XPNP	8XPNP	
Digital outputs		8XPNP	16XPNP
Inputs			
Input rated current	7mA		
Input delay	3ms		
Switching threshold	2mA/4mA		
Electrical Isolation	Optocoupler isolation		
Outputs			
Output current		0.5A	
Output protection		Overload protection, overheating protection	
Switching frequency		100HZ	
Output voltage drop		0.6V	
Communication interface			
Transmission standard	100Base-TX		
Auto-negotiation	supported		
Auto-MDI/MDIX	supported		
Maximum transmission rate	100Mbit/s		



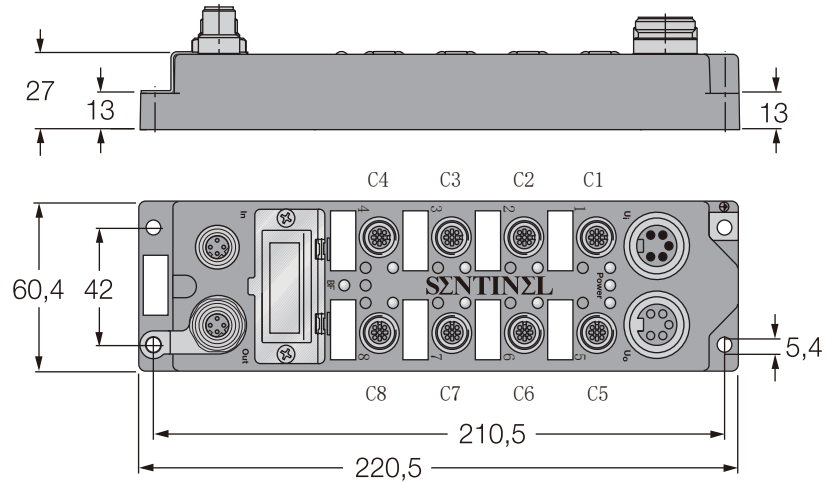
Dimensions



mm

Type	ELCT-IM16-0001 ELCT-IM16-0003	ELCT-IOM88-0001	ELCT-OM16-0001
Supply voltage	24VDC \pm 10%		
Operating current	< 100mA		
Digital inputs	-0001:16xPNP -0003:16xNPN	8xPNP	
Digital outputs		8xPNP	16xPNP
Inputs			
Input standard type	IEC 61131-2 Type 3		
Input delay	3ms		
Voltage switch threshold	9.2V/10.4V		
Current switch threshold	2.2mA		
Outputs			
Output current	0.5A		
Output protection	Overload protection, overheating protection		
Switching frequency	100HZ		
Output voltage drop	0.6V		
Communication interface			
Transmission standard	100Base-TX		
Auto-negotiation	supported		
Auto-MDI/MDIX	supported		
Maximum transmission rate	100Mbit/s		

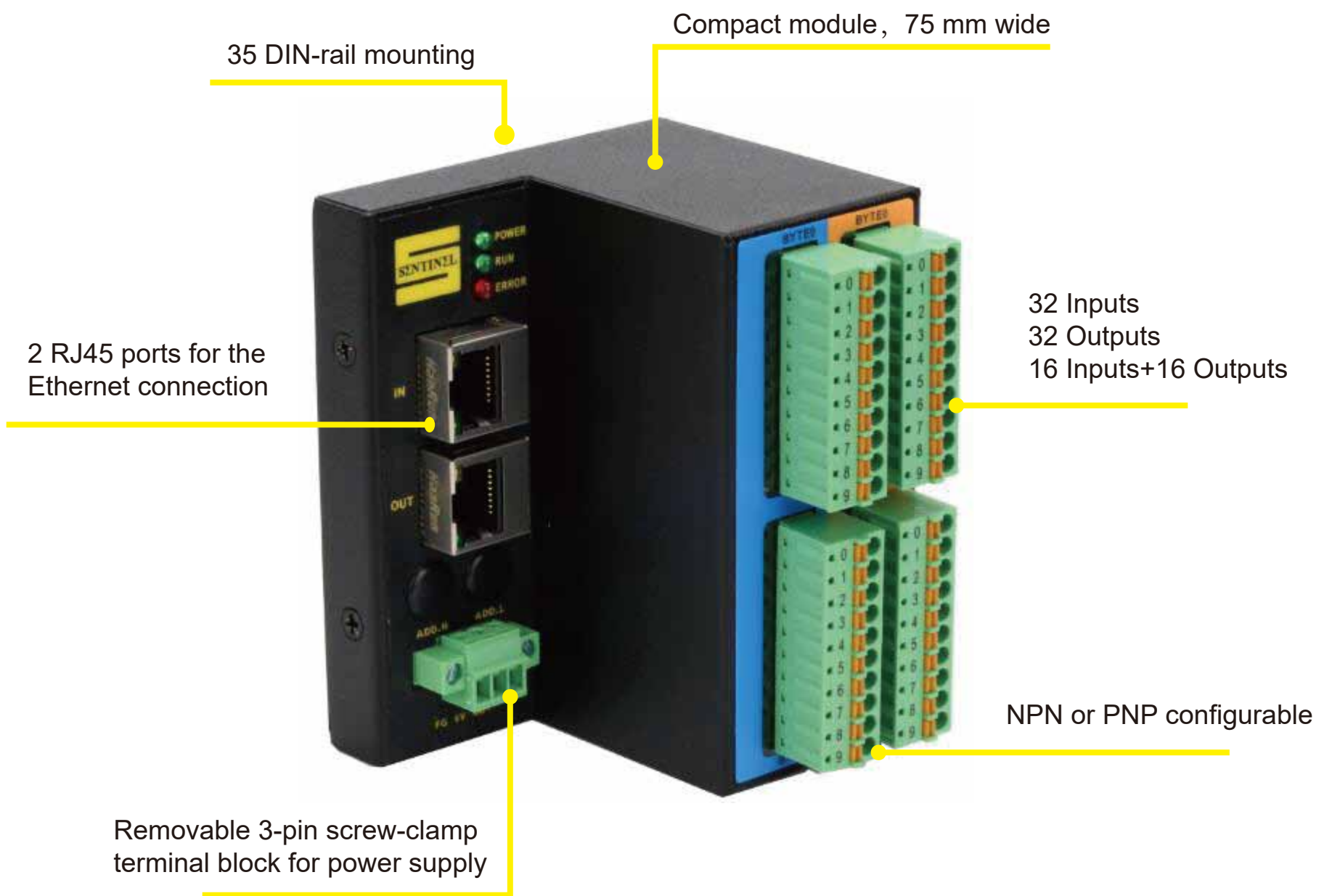
Dimensions

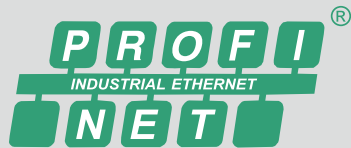


mm

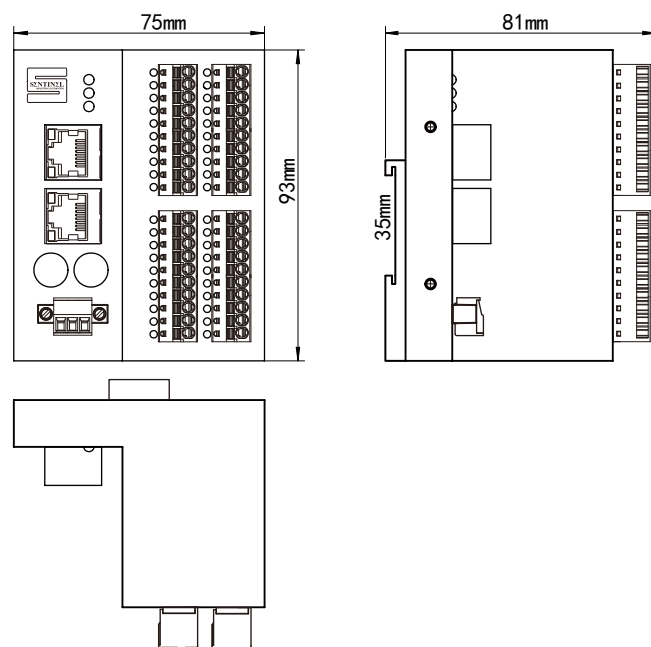
Type	ELBC-IM16-0001	ELBC-OM16-0001
Supply voltage	24VDC ± 10%	
Operating current	< 100mA	
Digital inputs	16XPNP	
Digital outputs		16XPNP
Inputs		
Input standard type	IEC 61131-2 Type 3	
Input delay	3ms	
Voltage switch threshold	9.2V/10.4V	
Current switch threshold	2.2mA	
Outputs		
Output current	0.5A	
Output protection	Overload protection, overheating protection	
Switching frequency	100HZ	
Output voltage drop	0.6V	
Communication interface		
Transmission standard	100Base-TX	
Auto-negotiation	supported	
Auto-MDI/MDIX	supported	
Default IPv4 address	192.168.3.*	

Compact IP20 I/O station for





Dimensions

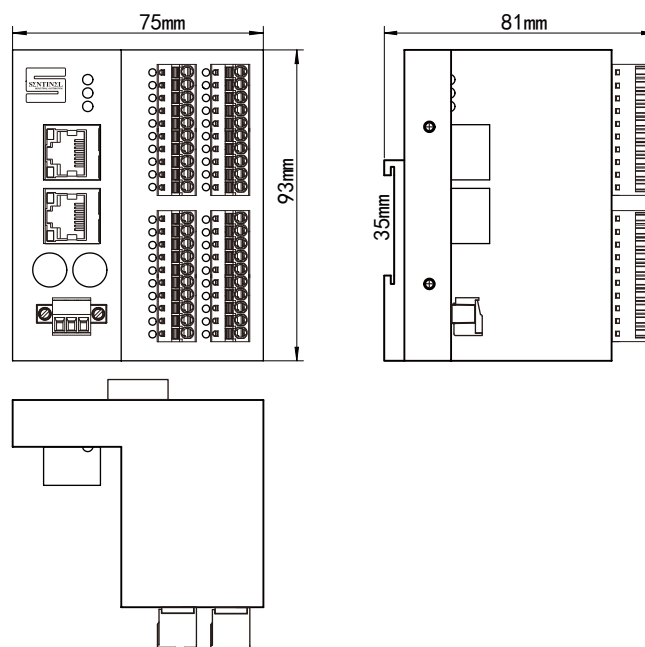


mm

Type	CMPN-IM32-0001	CMPN-IOM16-0001	CMPN-OM32-0001
Supply voltage	24VDC \pm 10%		
Operating current	< 75mA		
Digital inputs	32XPNP/NPN	16XPNP/NPN	
Digital outputs		16XPNP	32XPNP
Inputs			
Maximum input current	6mA		
Input delay	2.5ms		
Switching threshold	2mA/4mA		
Electrical Isolation	Optocoupler isolation		
Outputs			
Output current	0.2A		
Output protection	Overload protection, overheating protection		
Switching frequency	100HZ		
Output voltage drop	0.6V		
Communication interface			
Transmission standard	100Base-TX		
Auto-negotiation	supported		
Auto-MDI/MDIX	supported		
Maximum transmission rate	100Mbit/s		



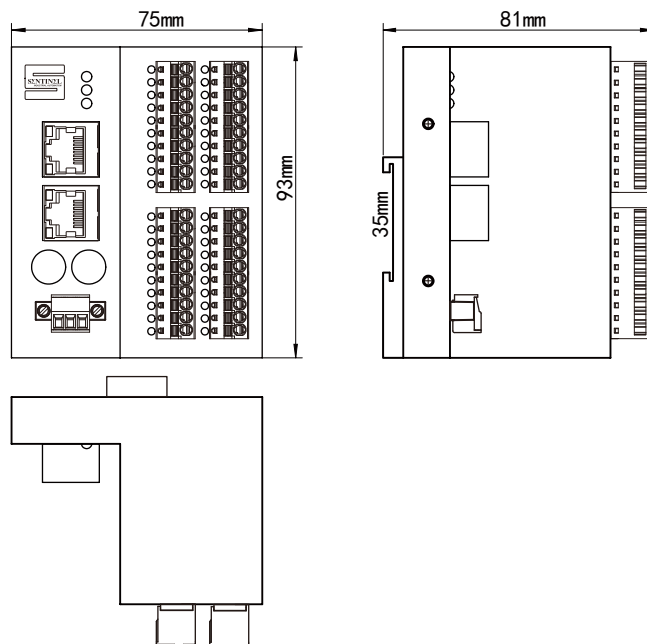
Dimensions



Type	CMCT-IM32-0001	CMCT-IOM16-0001	CMCT-OM32-0001
Supply voltage	24VDC \pm 10%		
Module and load power supply	UB and UL are internally isolated and need to be power supply separately		
Operating current	< 75mA		
Digital inputs	32XPNP/NPN	16XPNP/NPN	
Digital outputs		16XPNP	32XPNP
Inputs			
Input rated current	7mA		
Input delay	5ms		
Switching threshold	7V/14V 2mA/4mA		
Electrical Isolation	Optocoupler isolation		
Outputs			
Output current		0.2A	
Output protection		Overload protection, overheating protection	
Switching frequency		100HZ	
Output voltage drop		0.6V	
Communication interface			
Transmission standard	100Base-TX		
Auto-negotiation	supported		
Auto-MDI/MDIX	supported		
Maximum transmission rate	100Mbit/s		

CC-Link IE Basic

Dimensions



Type	CMBC-IM32-0001	CMBC-IOM16-0001	CMBC-OM32-0001
Supply voltage	24VDC \pm 10%		
Module and load power supply	UB and UL are internally isolated and need to be power supply separately		
Operating current	< 200mA		
Digital inputs	32XPNP/NPN	16XPNP/NPN	
Digital outputs		16XPNP	32XPNP
Inputs			
Input rated current	7mA		
Input delay	5ms		
Switching threshold	7V/14V 2mA/4mA		
Electrical Isolation	Optocoupler isolation		
Outputs			
Output current		0.2A	
Output protection		Overload protection, overheating protection	
Switching frequency		100HZ	
Output voltage drop		0.6V	
Communication interface			
Transmission standard	100Base-TX		
Auto-negotiation	supported		
Auto-MDI/MDIX	supported		
Maximum transmission rate	100Mbit/s		
Default IPv4 address	192.168.3.*		
Default subnet mask	255.255.255.0		
Number of occupied stations	one station (64bit)		

TIANJIN SENTINEL ELECTRONICS CO.,LTD.

Tel : 86-22-85689572 83726973

Fax : 86-22-85689517

E-mail : info@sentinel-china.com

For more details, please visit

www.sentinel-china.com 

SENSING YOUR MIND!